

MATERIAL MUST BE ACCORD WITH RoHS STANDARD

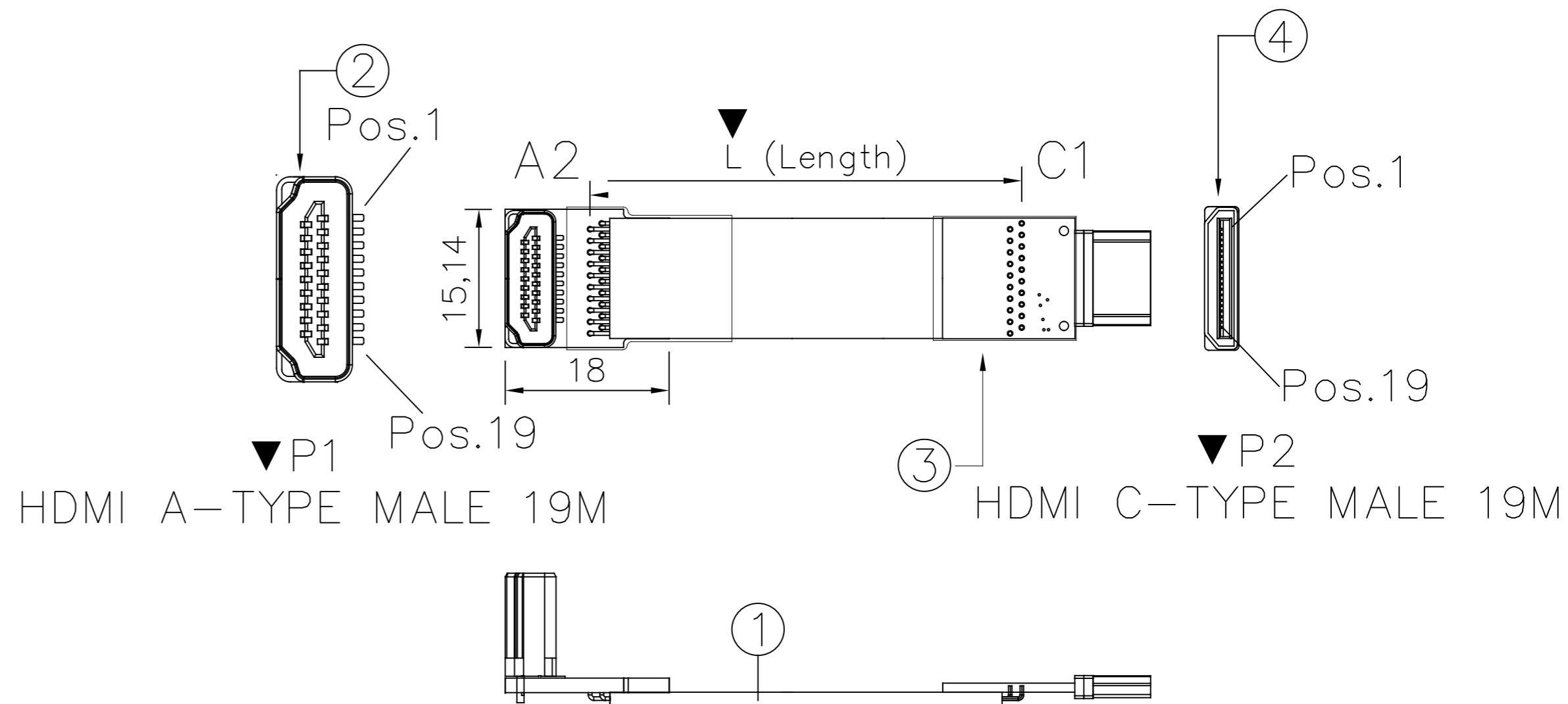
版本 REV.	变更内容 DESCRIPTION	变更号 ECN No.	日期 DATA
1.0	ISSUE	REL	2019-06-24

NOTE

1.100% HDMI2.0 4K@60Hz 18Gb/s TEST.
2.DIMSION MARK "▼" BY QC CHECK.

PIN OUT

P1	HDMI A-TYPE 19M	P2	HDMI C-TYPE 19M
1	TMDS Data2+	1	TMDS Data2 Shield
2	TMDS Data2 Shield	2	TMDS Data2+
3	TMDS Data2-	3	TMDS Data2-
4	TMDS Data1+	4	TMDS Data1Shield
5	TMDS Data1 Shield	5	TMDS Data1+
6	TMDS Data1-	6	TMDS Data1-
7	TMDS Data0+	7	TMDS Data0 Shield
8	TMDS Data0 Shield	8	TMDS Data0+
9	TMDS Data0-	9	TMDS Data0-
10	TMDS Clock+	10	TMDS Clock Shield
11	TMDS Clock Shield	11	TMDS Clock+
12	TMDS Clock-	12	TMDS Clock-
13	CEC	13	DDC/CEC Ground
14	Reserved (N.C.)	14	CEC
15	SCL	15	SCL
16	SDA	16	SDA
17	DDC/CEC Ground	17	Reserved (N.C.)
18	+5V Power	18	+5V Power
19	Hot Plug Detect/HEAC	19	Hot Plug Detect/HEAC-



HA2C1-5cm	50±5
HA2C1-10cm	100±5
HA2C1-15cm	150±5
HA2C1-20cm	200±10
HA2C1-25cm	250±10
HA2C1-50cm	500±20
HA2C1-100cm	1000±20
HA2C1-150cm	1500±20
HA2C1-200cm	2000±30
Part-Number	Length (mm)

ADT-LINK

TITLE: HDMI Extension CABLE L=5~200cm		DWG NO.: ADT-HA2-HC1-001	
		CUSTOMER NO.: ADT	
		CUSTOMER P/N: HA2C1-xxxcm	
SCALE	UNIT	CUS REV.	HY REV.
NONE	mm	1.0	1.0
DATE	SHEET		
2019-06-24	1/1		
DRAWING/制图		CHECKED/审核	
		APPROVED/核准	

No.	PART NO.	DESCRIPTION	Q'TY
4	Connector	HDMI C type Flat mount (180°) Connetor	1Pcs
3	TUBE	Heat-Shrinkable T bush	2Pcs
2	Connector	HDMI A type Left angle (90°) Connetor	1Pcs
1	CABLE	HDMI FLAT CABLE,(WIRE20P=30AWG×12P,28AWG×8P),PE JACKET: BLACK,OD=1.1×13.2mm (95±15Ω),TPE	1Pcs
No.	PART NO.	DESCRIPTION	Q'TY